

# S-NOVA<sup>®</sup>

THE SAFETY SOCKET

## Flanged socket

Austrian/German system

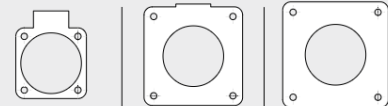


105-0b

## SCREW TERMINALS

- screw terminals
- 250V~ / 16A (2P+E)
- housing material: PA6
- nickel-plated contacts

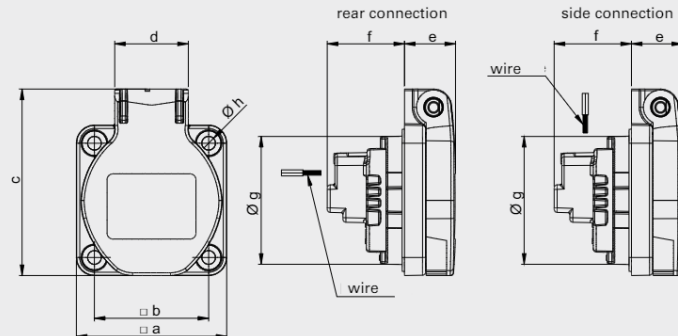
IP54 splashproof



version	50x50	70x70	75x75
rear connection	105-0b	105-7b	105-8b
rear connection with shutter	105-0bc	105-7bc	105-8bc
side connection	105-0bs	105-7bs	105-8bs
side connection with shutter	105-0bsc	105-7bsc	105-8bsc

PU=100 pcs.

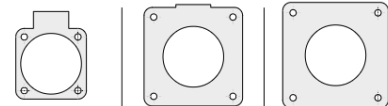
flange size	50x50	70x70	75x75
a [mm]	50	70	75
b [mm]	38	56	60
c [mm]	62	72	75
d [mm]	25	25	25
e [mm]	17	17	21
f [mm]	26	26	22
g [mm]	43	43	43
h [mm]	4,5	5,5	5,5
weight [g]	46	51	55



## SCREWLESS TERMINAL

- screwless terminal
- 250V~ / 16A (2P+E)
- housing material: PA6
- nickel-plated contacts

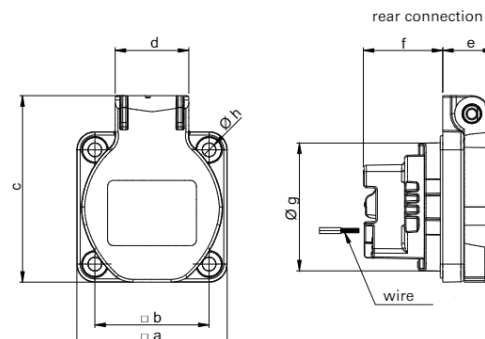
IP54 splashproof



version	50x50	70x70	75x75
rear connection	109-0b	-	-
rear connection with shutter	109-0bc	-	-

PU=100 pcs.

flange size	50x50
a [mm]	50
b [mm]	38
c [mm]	62
d [mm]	25
e [mm]	17
f [mm]	26
g [mm]	43
h [mm]	4,5
weight [g]	46



other versions on request